



**Housing**

Electrostatic powder painted metal sheet

**Optics**

Perforated sheet reflector

**Light Source**

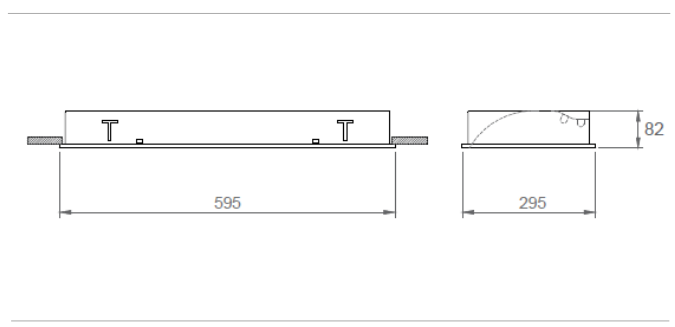
High efficacy Mid Power LED with lifetime L70 > 50,000h

**Driver**

Constant current output with pf > 0.90

**Color Options**

RAL9016 / RAL9006 / RAL9005



Order Code	W	Lm	K	CRI	Kg	Cut-Out
02148.36.30.019	33	1800	3000	Ra >80	4,1	575x275
02148.36.40.019	33	1900	4000	Ra >80	4.1	575x275