

Lasting-XL

Outdoor Lighting - Street Lighting, Urban Lighting



Colour Options



Ral 7016

TECHNICAL INFORMATION

Housing	Aluminum Injection
Glass	Tempered Clear Glass
Optics	PMMA Optical Lens
Paint	Electrostatic Powder Paint

OPTICAL SPECIFICATIONS

Light Output Angle	Asymmetrical
CRI	CRI ≥ 70
Color Bin Value	Mc Adams ≤ 3

ELECTRICAL

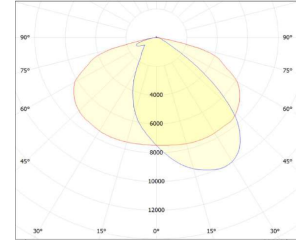
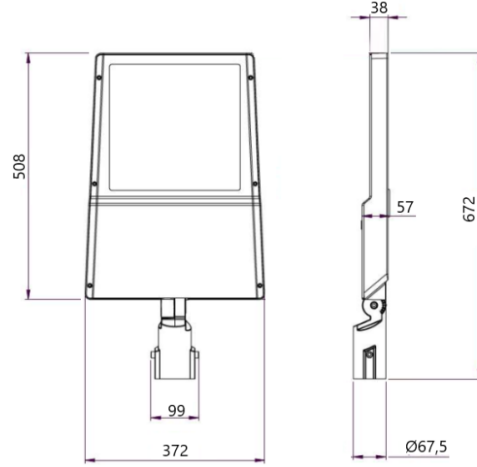
Power (W)	200-240W
Power Factor	>0.95
Light Source	SMD High Power LED
Cabling	Halojen-Free
Input Voltage	220-240V AC / 50-60 Hz
LED Driver	High Efficiency Constant Current Output
Ambient Temperature	-40°C / +50°C
LED Lifetime L80B50	>50.000 Hour

OPTIONAL

DALI
1-10V DIM
2700K ~ 6500K
Different RAL Color Options
SPD
Plug-in Energy Input Connector
Class-II Protection Class

ASSEMBLY

Installation Type	Surface Mounted
Mounting Apparatus	Ø42-60mm Adjustable Console



Order Code	W	Lm	Productivity	CCT	WxLxH (mm)	ØD (Console-mm)	Kg
09495.54.40.280	200	28000	140 lm/W	4000	372x508x68	Ø42-60	5.5
09495.54.40.336	240	33600	140 lm/W	4000	372x508x68	Ø42-60	5.5

