

Lumi-085

Indoor Lighting - Spot Lighting



Colour Options



Ral 9016

TECHNICAL INFORMATION

Housing	Aluminum Injection
Frame	Aluminum Injection
Reflector	Optical Lens
Accessories	Honeycomb
Adjustable Body	+30° / -30°
Paint	Electrostatic Powder Paint

OPTICAL SPECIFICATIONS

Optics	Symmetrical
Light Output Angle	15°-24°-38°
UGR Value	UGR≤14
CRI	CRI ≥ 80
Color Bin Value	Mc Adams ≤ 3

ELECTRICAL

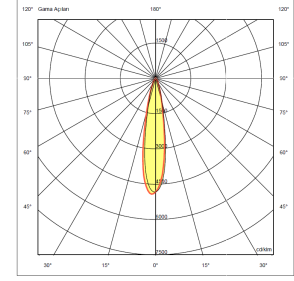
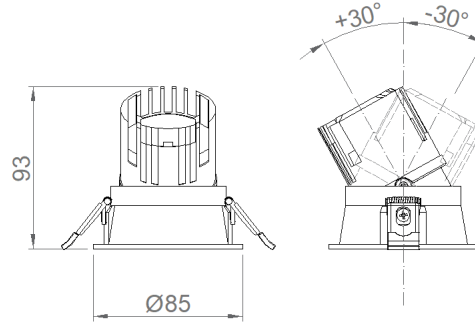
Power (W)	11W
Light Source	COB LED
Cabling	Halojen-Free
Input Voltage	220-240V AC / 50-60 Hz
LED Driver	High Efficiency Constant Current Output
LED Lifetime L80B50	>50.000 Saat

OPTIONAL

DALI
Emergency Lighting Unit
2700K ~ 6500K
CRI > 90
Class-I Protection Class
1-10V DIM

ASSEMBLY

Installation Type Under Plaster
Mounting Apparatus Steel Spring



Order Code	W	Lm	Angle	CCT	ØDx(H)	Cut-out dimensions (mm)	Kg
05381.80.30.008	11	1060	15°/24°/38°	3000	Ø85x88mm	Ø75mm	0,4
05381.80.40.008	11	1140	15°/24°/38°	4000	Ø85x88mm	Ø75mm	0,4

