

Angel 1200

Indoor Lighting - Pendant Lighting



Colour Options



Ral 9016



Ral 9006



Ral 9005

TECHNICAL INFORMATION

Housing Extruded Aluminum Profile
Diffuser High Transmittance Opal Diffuser
Paint Electrostatic Powder Paint

OPTICAL SPECIFICATIONS

Optics Symmetrical
Light Output Angle 120°
UGR Value UGR ≤ 22
CRI CRI ≥ 80
Color Bin Value Mc Adams ≤ 3

ELECTRICAL

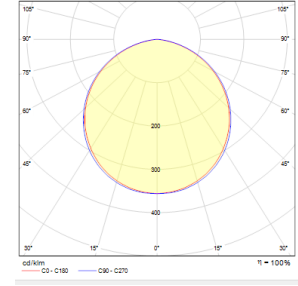
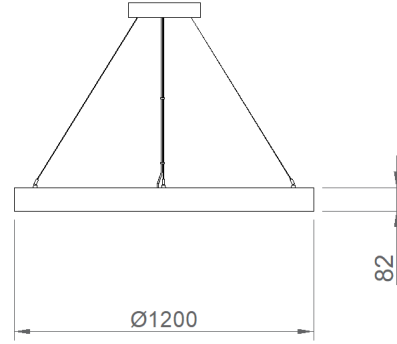
Power (W) 60-120W
Power Factor >0.95
Light Source SMD Mid Power LED
Cabling Halogen-Free
Input Voltage 220-240V AC / 50-60 Hz
LED Driver High Efficiency Constant Current Output
Ambient Temperature -20°C / +50°C
LED Lifetime L80B50 >50.000 Hour

OPTIONAL

- DALI
- Tunable White
- CRI > 90
- Different RAL Color Options
- Class-II Protection Class
- 1-10V DIM
- Emergency Lighting Unit
- 2700K ~ 6500K
- Plug-in Connector
- AC-DC Supply(MBS)

ASSEMBLY

Installation Type Pendant
Mounting Apparatus Height Adjustable Steel Wire



Order Code	W	Lm	CCT	CRI	ØxH (mm)	Kg
01140.12.30.057	60	5760	3000	Ra>80	Ø1200x82	6,0
01140.12.40.061	60	6100	4000	Ra>80	Ø1200x82	6,0
01140.12.30.102	120	10270	3000	Ra>80	Ø1200x82	6,0
01140.12.40.108	120	10870	4000	Ra>80	Ø1200x82	6,0

